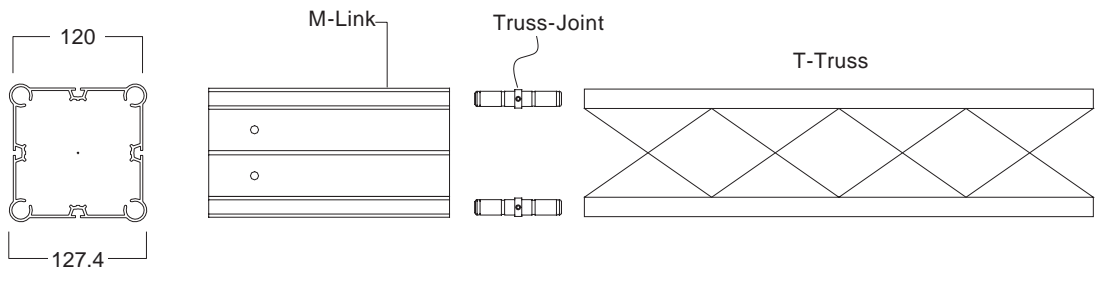
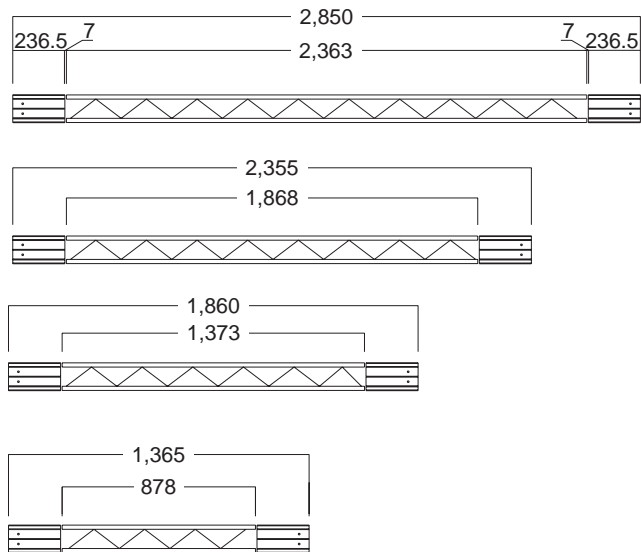




T-Truss + M-Link beam (use with 120 square upright)



T-Truss + M-Link upright

